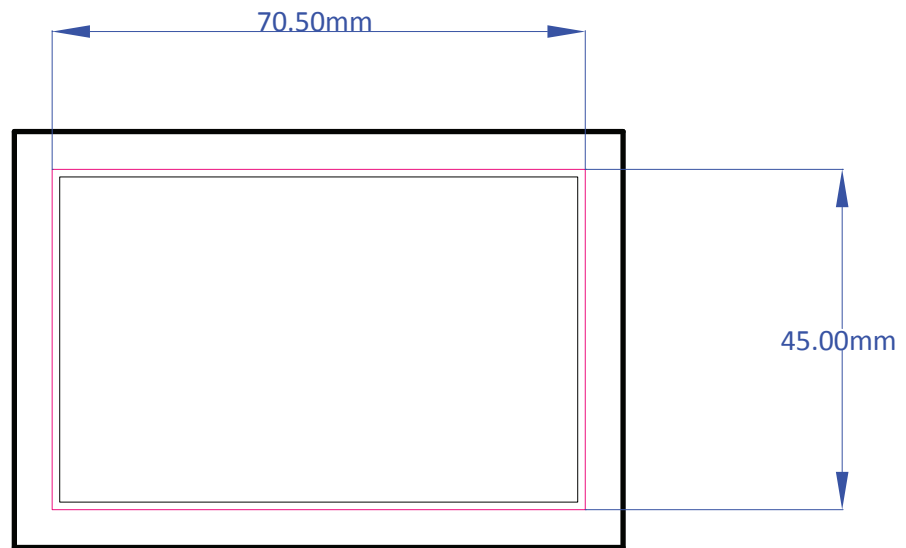


IZ - Classic - 1-up



- Outer Cutting Plate Guide
- Cut Line (insert size)
- Print Size (allows for 2mm bleed)